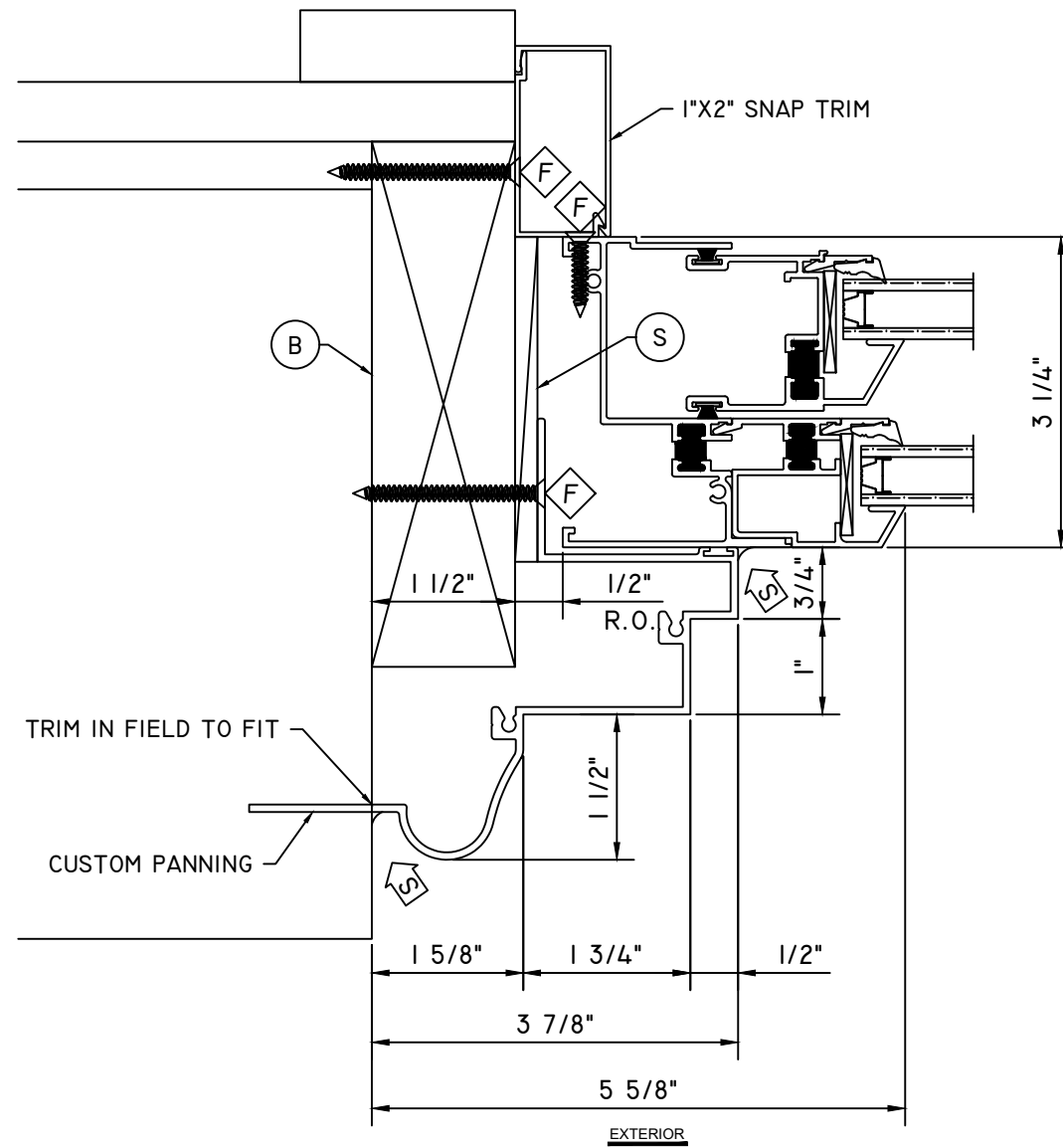


EXISTING JAMB DETAIL



PROPOSED JAMB DETAIL



PHONE (573)-744-5211
 FAX (573)-744-5586
 COMMERCIAL
 FAX (573)-744-5822
 www.quakerwindows.com

Drawn By: C. A. D
 Date: 05-22-18
 Scale: 1:2
 Sheet #: C1

Description: **CUT DETAILS**
 QUAKER WINDOW PRODUCTS WILL NOT BE RESPONSIBLE FOR FIELD MEASUREMENT, QUANTITIES, & INSTALLATION DESIGN. CONTRACTOR MUST VERIFY ALL DIMENSIONS.

Project Name: **RECORD BOX
BATTLE CREEK
H503 SH**

SYMBOLS LEGEND	
(S)	INDICATES FIELD APPLIED SEALANT
(F)	FASTENERS BY ERECTOR
(B)	INDICATES BLOCKING BY ERECTOR
(S)	SHIM AS NEEDED

NOTICE:
QUAKER DOES NOT SUPPLY ANY FASTENERS, SHIMS, BACKER ROD, OR SEALANTS. UNLESS OTHERWISE NOTED.

VERIFY INSTALLATION
VERIFY WALL DETAILS

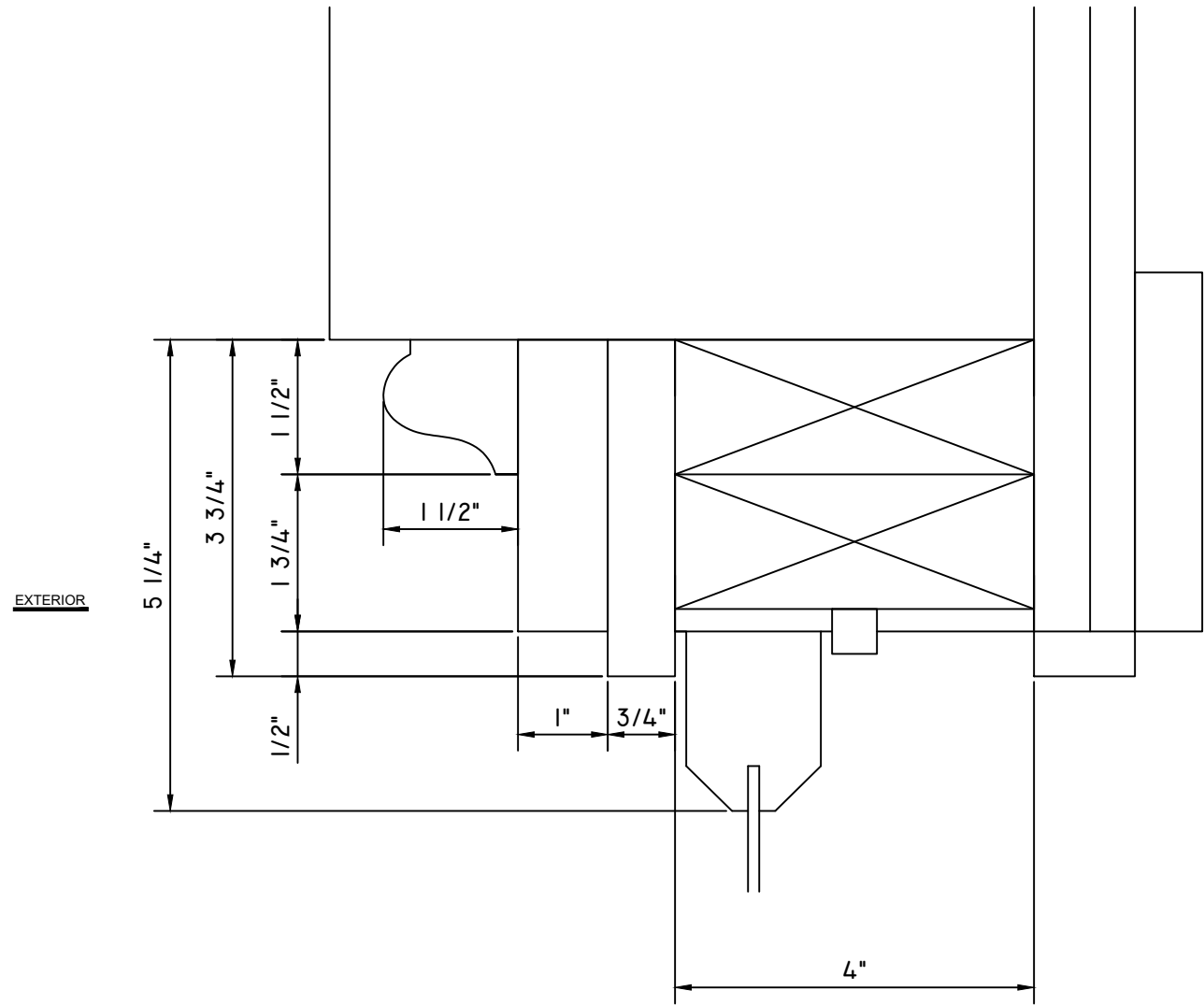
ALL PANNING SHALL BE FIELD FIT & TRIMMED BY THE INSTALLER

ALL PANNING TO BE SEALED IN THE FIELD BY OTHERS

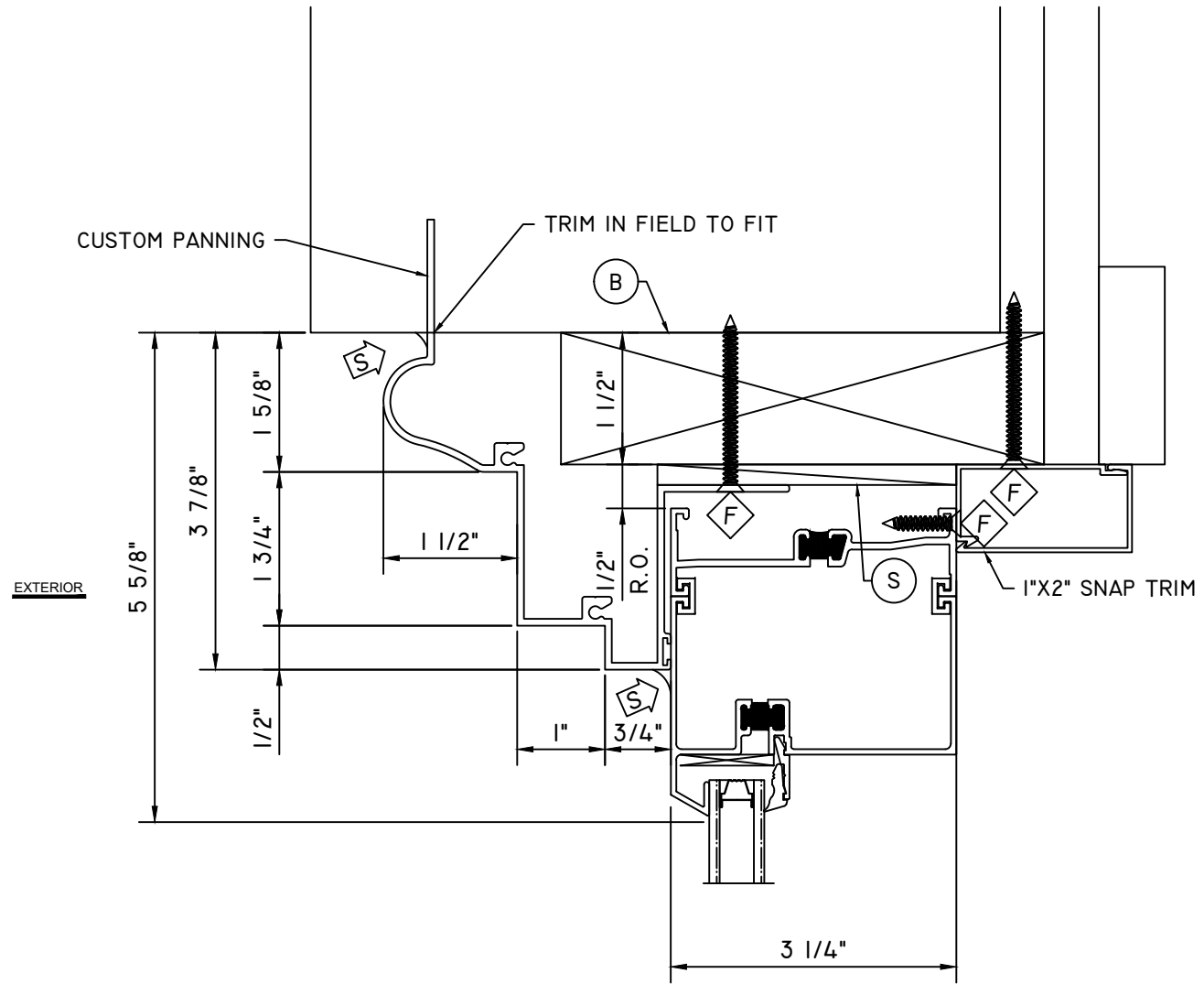
SEALANT MUST MEET OR EXCEED ASTM C920-11 SPECIFICATION

PROVIDE ADEQUATE BLOCKING TO SUPPORT THE SILL OF THE WINDOW

PACK INSULATION AROUND WINDOW FRAME. DO NOT USE EXPANDING OR SPRAY-IN TYPE FOAMS.



EXISTING HEAD DETAIL



PROPOSED HEAD DETAIL

Project Name:

CUT DETAILS

Description:

QUAKER WINDOW PRODUCTS WILL NOT BE RESPONSIBLE FOR FIELD MEASUREMENT. QUANTITIES, & INSTALLATION DESIGN. CONTRACTOR MUST VERIFY ALL DIMENSIONS.

PHONE (573)-744-5211
FAX (573)-744-5586
COMMERCIAL
FAX (573)-744-5822
www.quakerwindows.com

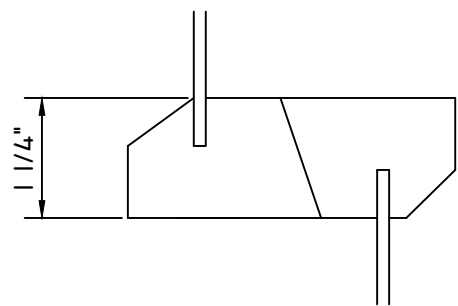
QUAKER
COMMERCIAL WINDOW AND DOOR



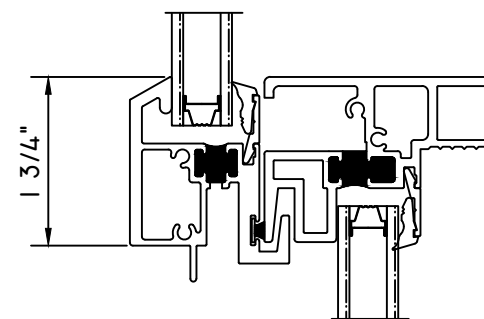
Drawn By: C.A.D.
Date: 05-22-18
Scale: 1:2
Sheet #: C2

504 Highway 63 South
Freeburg, MO 65035
drafting@quakerwindows.com

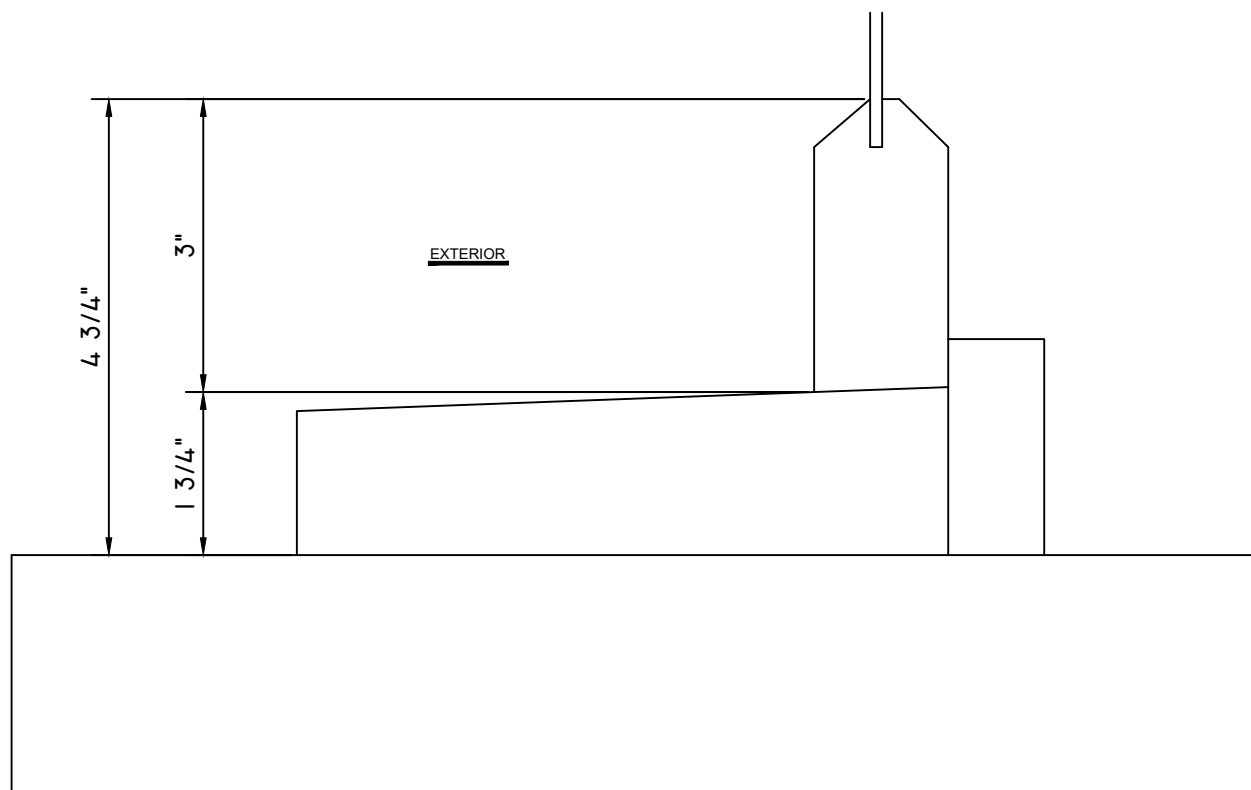
**RECORD BOX
BATTLE CREEK
H503 SH**



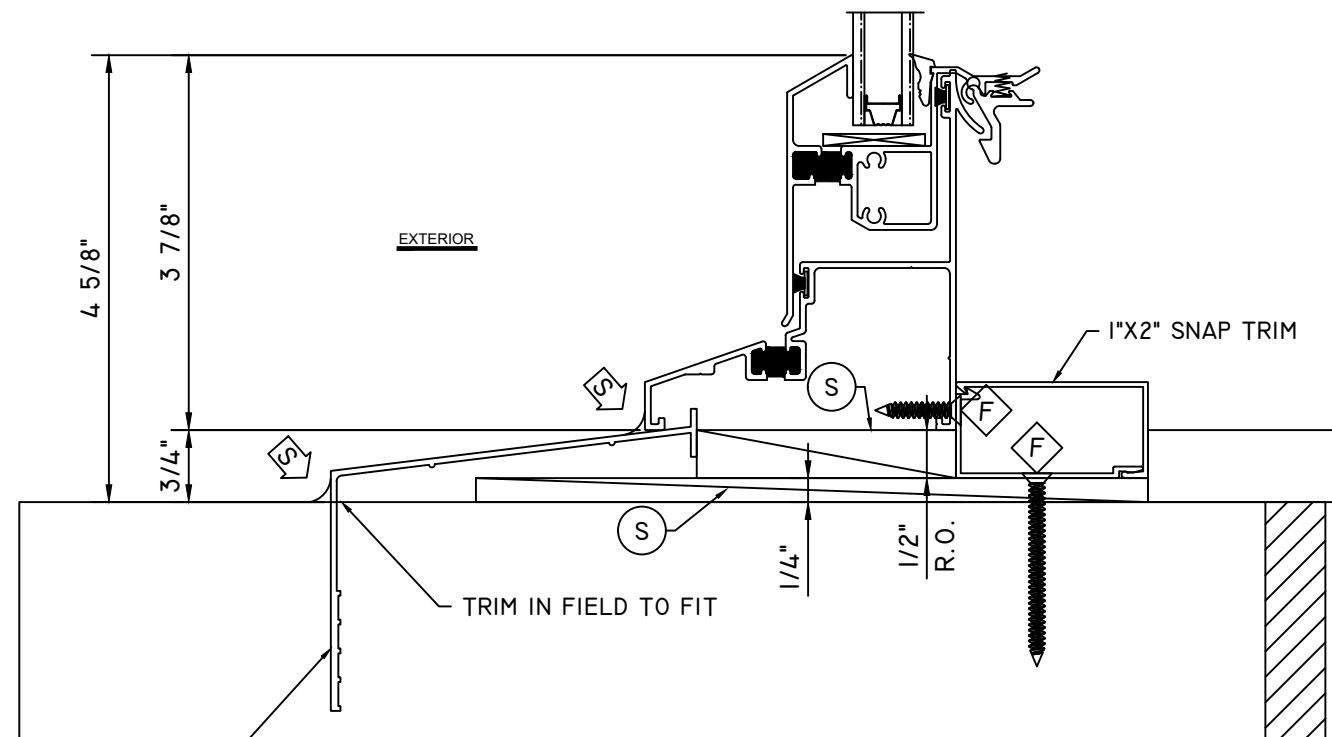
EXISTING MEETING RAIL DETAIL



PROPOSED MEETING RAIL DETAIL



EXISTING SILL DETAIL



PROPOSED SILL DETAIL

SILL PANNING #M6939

SYMBOLS LEGEND	
	INDICATES FIELD APPLIED SEALANT
	FASTENERS BY ERECTOR
	INDICATES BLOCKING BY ERECTOR
	SHIM AS NEEDED

NOTICE:
QUAKER DOES NOT SUPPLY ANY FASTENERS, SHIMS, BACKER ROD, OR SEALANTS, UNLESS OTHERWISE NOTED.

VERIFY INSTALLATION
VERIFY WALL DETAILS

ALL PANNING SHALL BE FIELD FIT & TRIMMED BY THE INSTALLER

ALL PANNING TO BE SEALED IN THE FIELD BY OTHERS

SEALANT MUST MEET OR EXCEED ASTM C920-11 SPECIFICATION

PROVIDE ADEQUATE BLOCKING TO SUPPORT THE SILL OF THE WINDOW

PACK INSULATION AROUND WINDOW FRAME. DO NOT USE EXPANDING OR SPRAY-IN TYPE FOAMS.

		RECORD BOX BATTLE CREEK H503 SH	
		Project Name:	
Description:		CUT DETAILS	
PHONE (573)-744-5211 FAX (573)-744-5586 COMMERCIAL FAX (573)-744-5822 www.quakerwindows.com		QUAKER WINDOW PRODUCTS WILL NOT BE RESPONSIBLE FOR FIELD MEASUREMENT, QUANTITIES, & INSTALLATION DESIGN. CONTRACTOR MUST VERIFY ALL DIMENSIONS.	
Drawn By: C. A. D. Date: 05-22-18		Scale: 1:2 Sheet #: C3	
504 Highway 63 South Freeburg, MO 65035 drafting@quakerwindows.com			